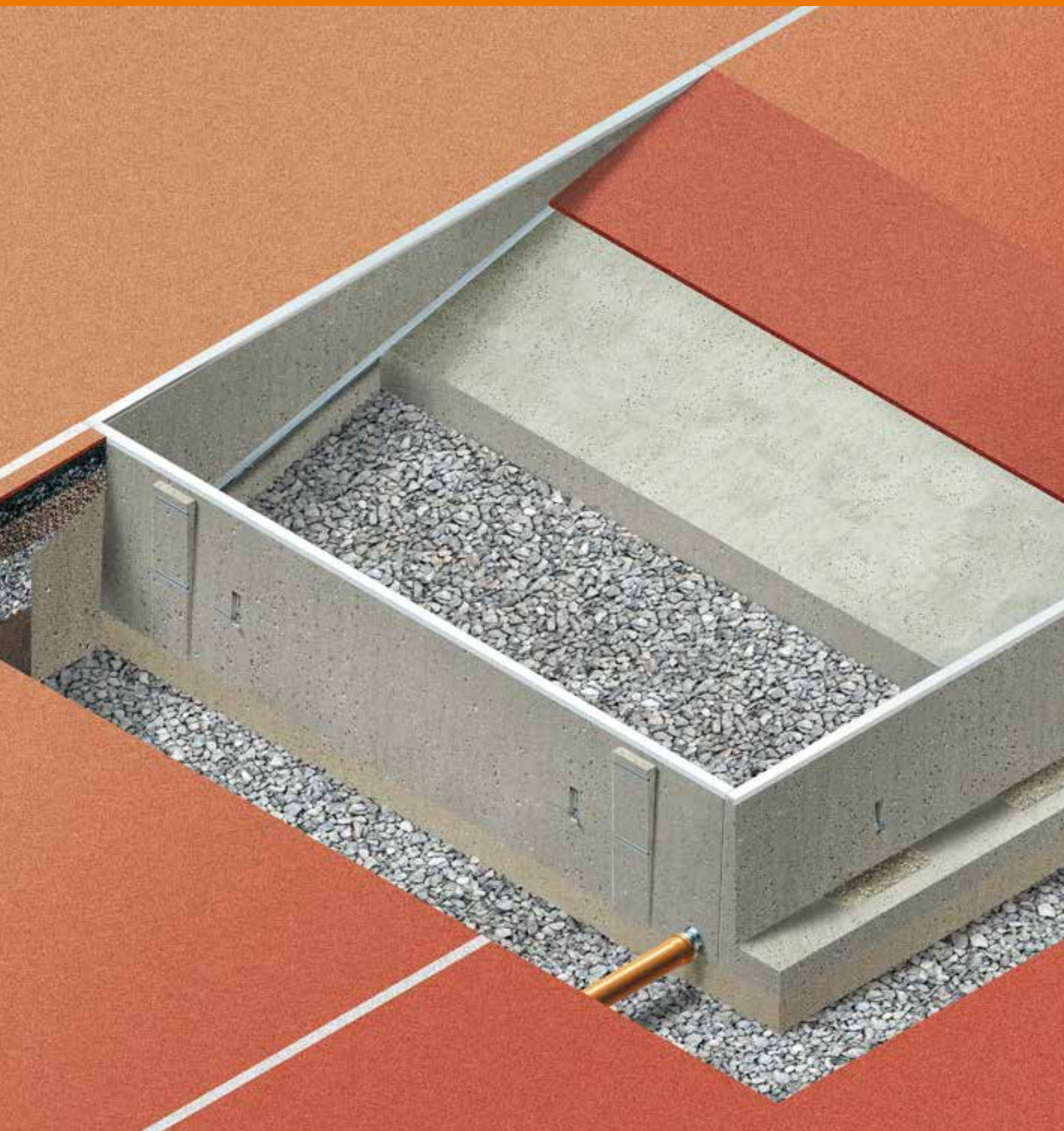


SPORTFIX® Water jump kit

Water jump for steeplechases according IAAF requirements.

3-parted construction for quick and easy installation with EPDM protection profiles.





At a glance

- ✓ Supplied in 3 sections
- ✓ upper edges provided with EPDM soft profiles to avoid injuries
- ✓ adjustable, galvanised rail on both sides

SPORTFIX® Water jump kit

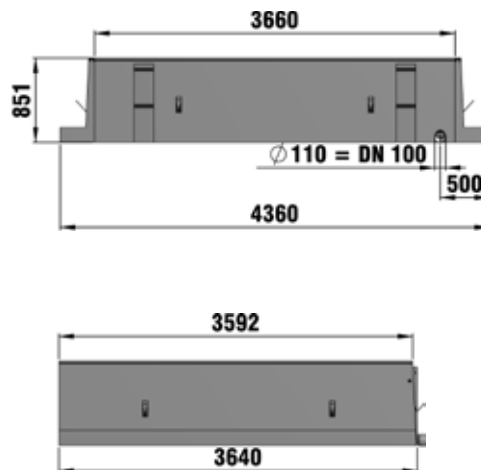
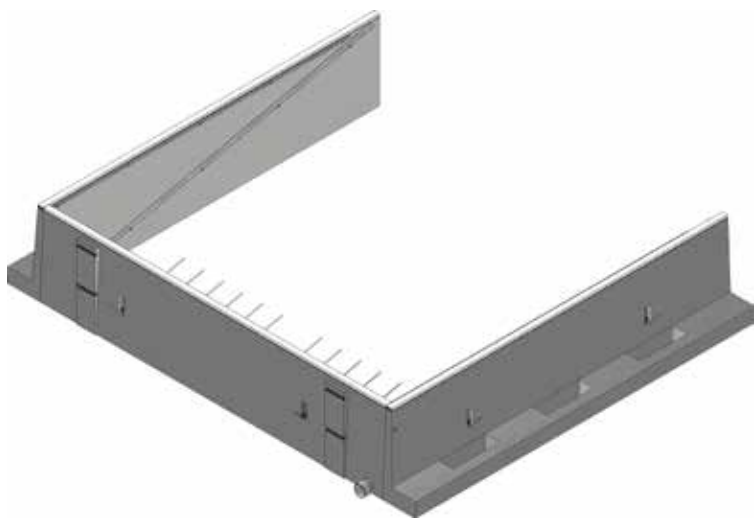
SPORTFIX Water jump assembly kit

The SPORTFIX Water jump kit consists of three prefabricated sections of reinforced concrete. This enables a water jump kit to be created in accordance with international requirements rapidly, easily and cost-effectively. Its dimensions comply with DIN 18035, Part 8 and IAAF competition rules.

The upper edges of the elements are bordered with white soft profiles. The DN 70 outlet enables the water jump kit to be emptied. The base of the water jump kit is concreted by the customer. The concrete tamper edge, on the other hand, can be adjusted accordingly.



Water jump kit



Type	Length mm	Width mm	Height mm	Weight kg	Item- no.
Water jump kit, 3-piece, with white soft profiles, DN 70 plastic outlet, steel connecting piece and galvanised steel pull-off rails	3592	3660	851	2200,0	7262

