

SPORTFIX® Channels for school and public sports facilities

Light and durable track drainage.

Perfect drainage solutions for school sport and public sports facilities.





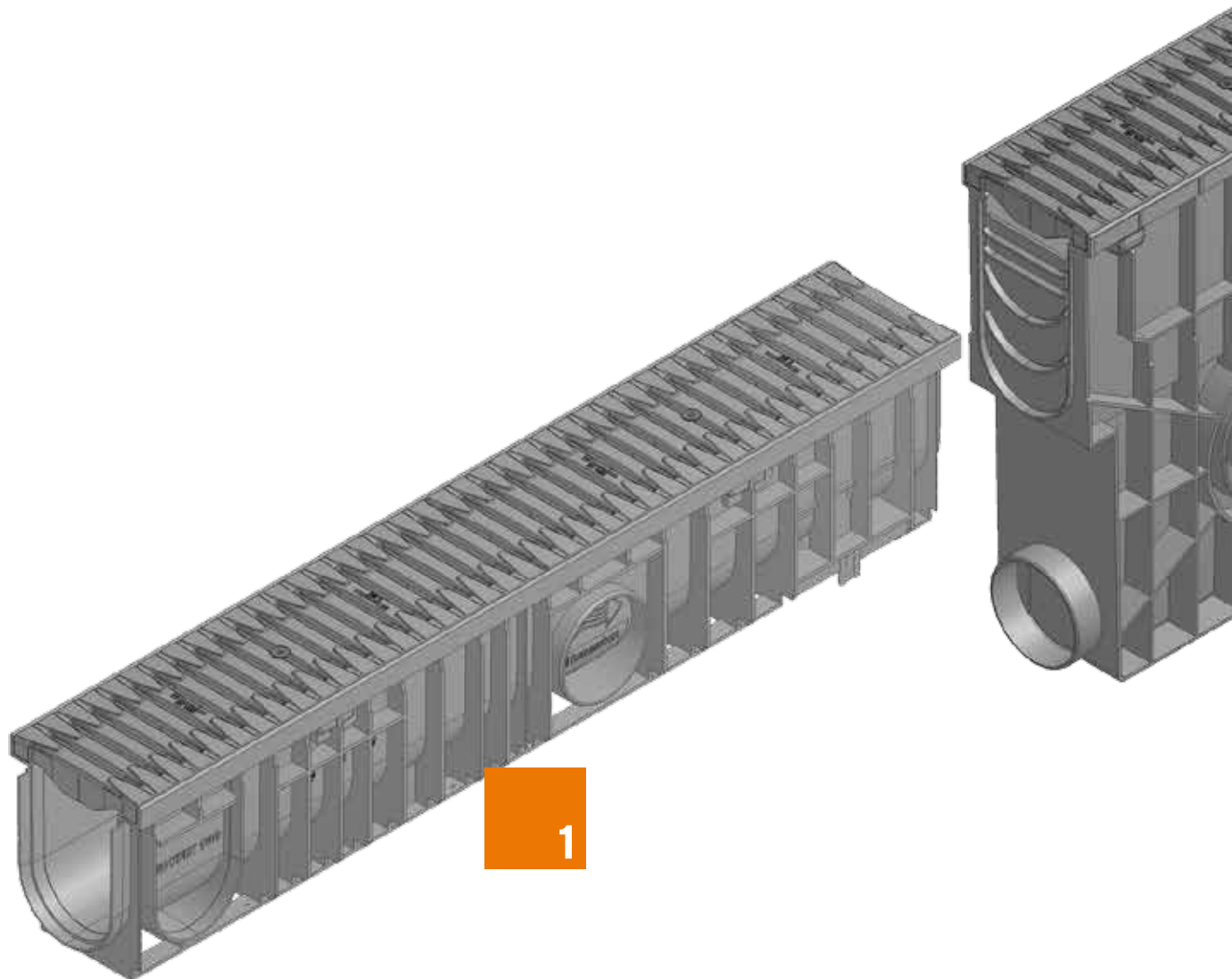
At a glance

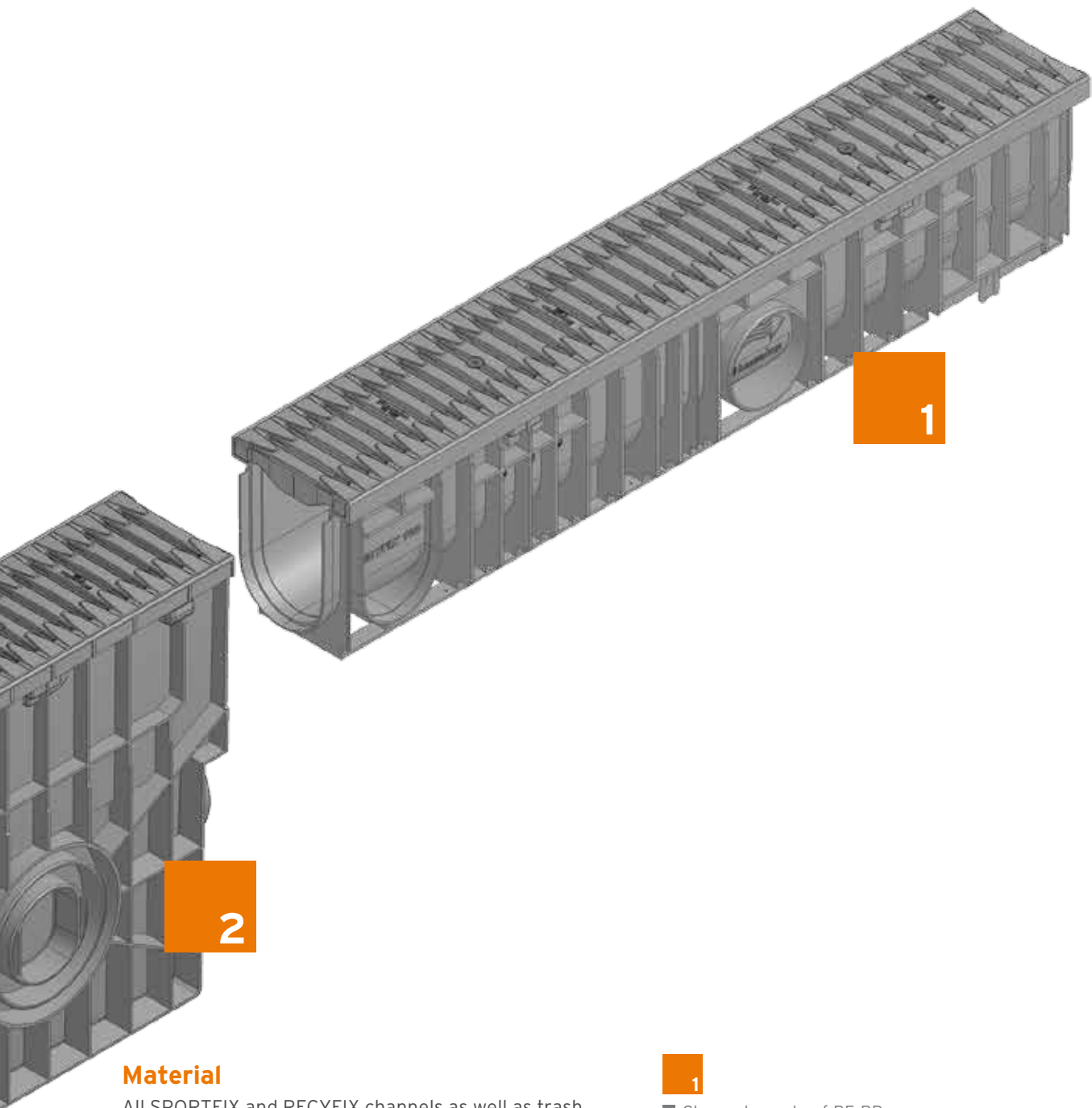
- ✓ Channels made from recycled PE-PP
- ✓ Easy and fast to install
- ✓ Installation in straight and curved areas possible

SPORTFIX® Channels for school and public sports facilities

Light and durable track drainage.

Perfect drainage solutions for school sport and public sports facilities.





Material

All SPORTFIX and RECYFIX channels as well as trash boxes are manufactured from 100% recycled PE-PP which makes them lightweight and easy to install. The material is highly durable, UV-stabilised, environmentally friendly and impervious to liquids.

RECYFIX Channels are available with gratings manufactured from PA-GF (FIBRETEC) and galvanised or stainless steel (Slotted gratings).

SPORTFIX slotted channels come equipped with slotted gratings made from CDP-coated steel. In the case of the SPORTFIX Super slotted channels the inlet slots consist of EPDM inserts, and are initially closed. Once the running track surface has been laid the inserts can be effortlessly opened.

1
■ Channels made of PE-PP, according DIN V 19580 / EN 1433, CE-conform, with groove and tongue with FIBRETEC Slotted grating, slip-resistant, loading capacity C 250

2
■ Trash box with facility for connecting a conduit acc. to DN 100/150

References of school and public sports facilities

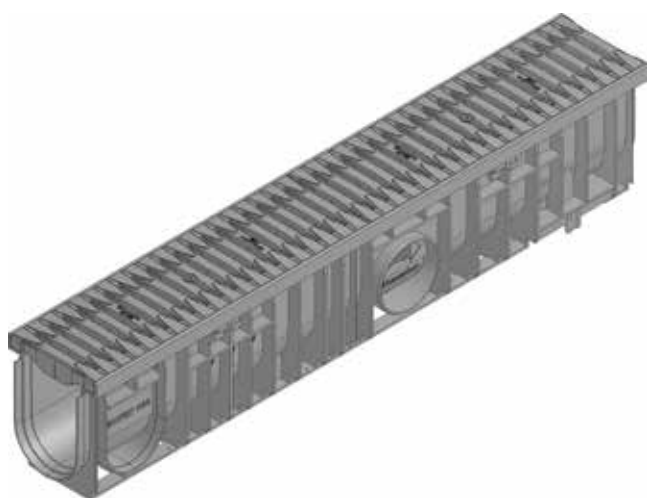
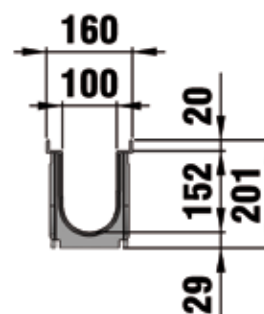
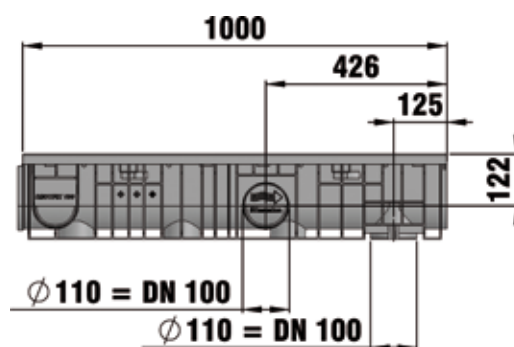
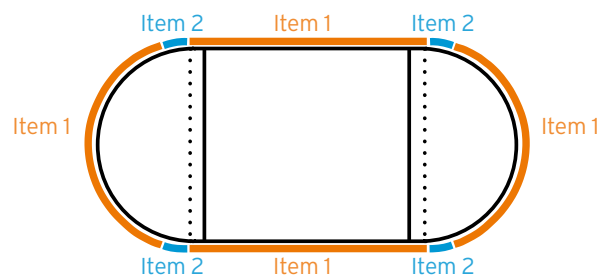


RECYFIX® PRO Channels

RECYFIX PRO Channels - nominal width 100 mm

Advantages of RECYFIX PRO Channels:

- Channel made of PE-PP and grating made of high-quality PA-GF (Polyamide)
- drainage system according EN 1433
- lightweight, robust and easy to install
- through the groove and tongue system there is no gap in the curved area



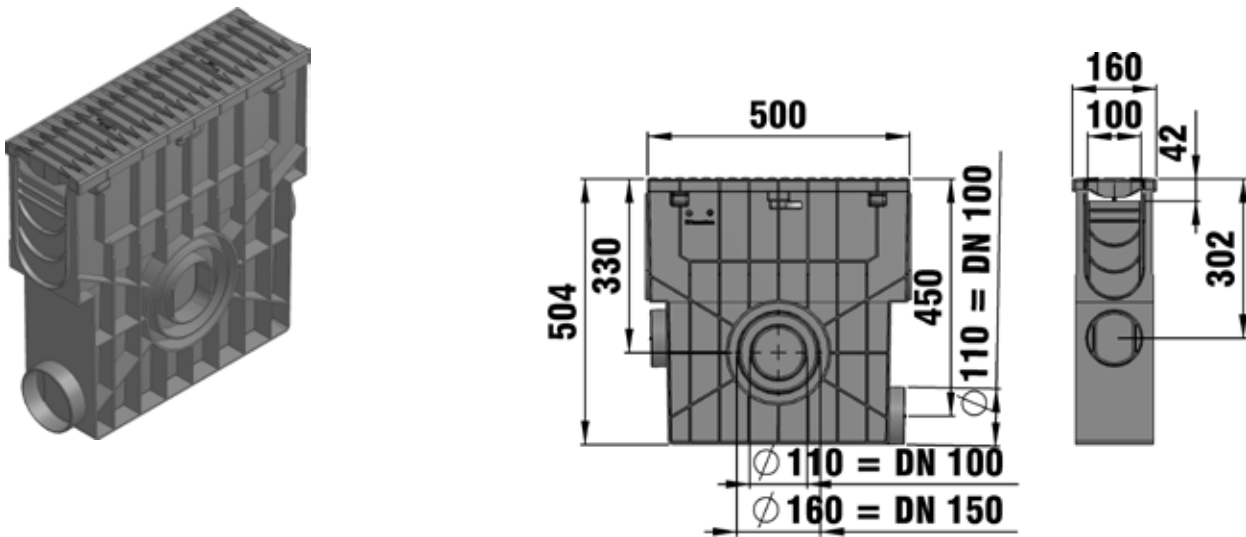
Drawing-no.	Type	Length mm	Width mm	Height mm	Weight kg	Item- no.
1	Type O10 with FIBRETEC slotted grating, SW 9, black	1000	160	201	4,9	47060

The RECYFIX PRO range can be combined with the SPORTFIX Channel range.

RECYFIX® PRO Trash boxes

RECYFIX PRO Trash boxes

RECYFIX PRO trash box



Drawing-no.	Type	Length mm	Width mm	Height mm	Weight kg	Item- no.
2	Trash box with mud bucket and FIBRETEC slotted grating, SW 9, black	500	160	438	5,9	47054

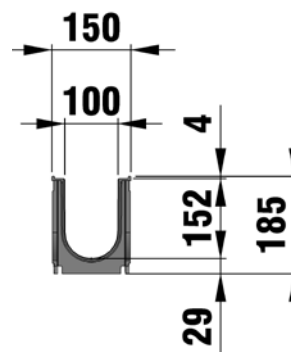
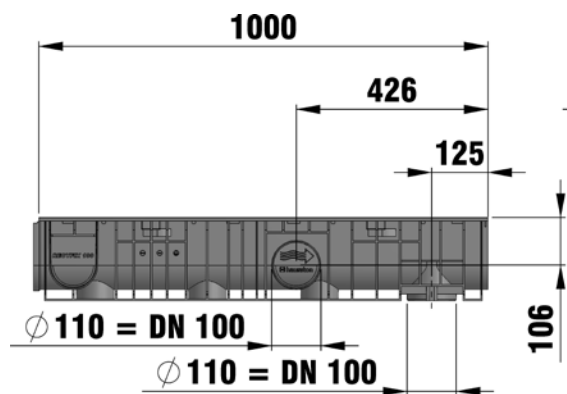
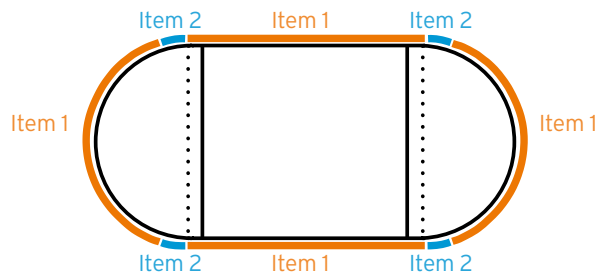
RECYFIX® STANDARD Channels

RECYFIX STANDARD Channels - nominal width 100 mm

Advantages of RECYFIX STANDARD Channels:

- Channel made from recycled polypropylene making it environmentally friendly
- high resistance against frost and road salt
- very light which makes it quick and easy to install

Type 010

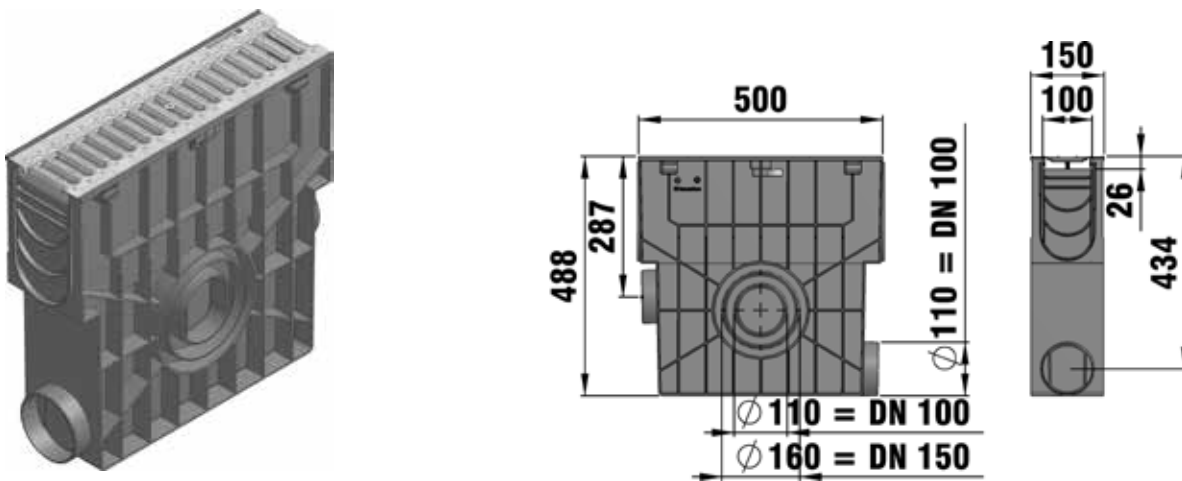


Drawing-no.	Type	Length mm	Width mm	Height mm	Weight kg	Item-no.
1	Type 010 with slotted grating SW 9, locked	1000	150	185	5,3	40296

RECYFIX® STANDARD Trash boxes

RECYFIX STANDARD Trash boxes

RECYFIX STANDARD trash box



Drawing-no.	Type	Length mm	Width mm	Height mm	Weight kg	Item- no.
2	Trash box with plastic bucket, slotted grating, SW 9, trafficable, locked	500	150	488	4,3	40256