

SPORTFIX® Channels for IAAF accredited facilities

Perfect drainage - safe past the post.

The comprehensive product range for all IAAF sports facilities





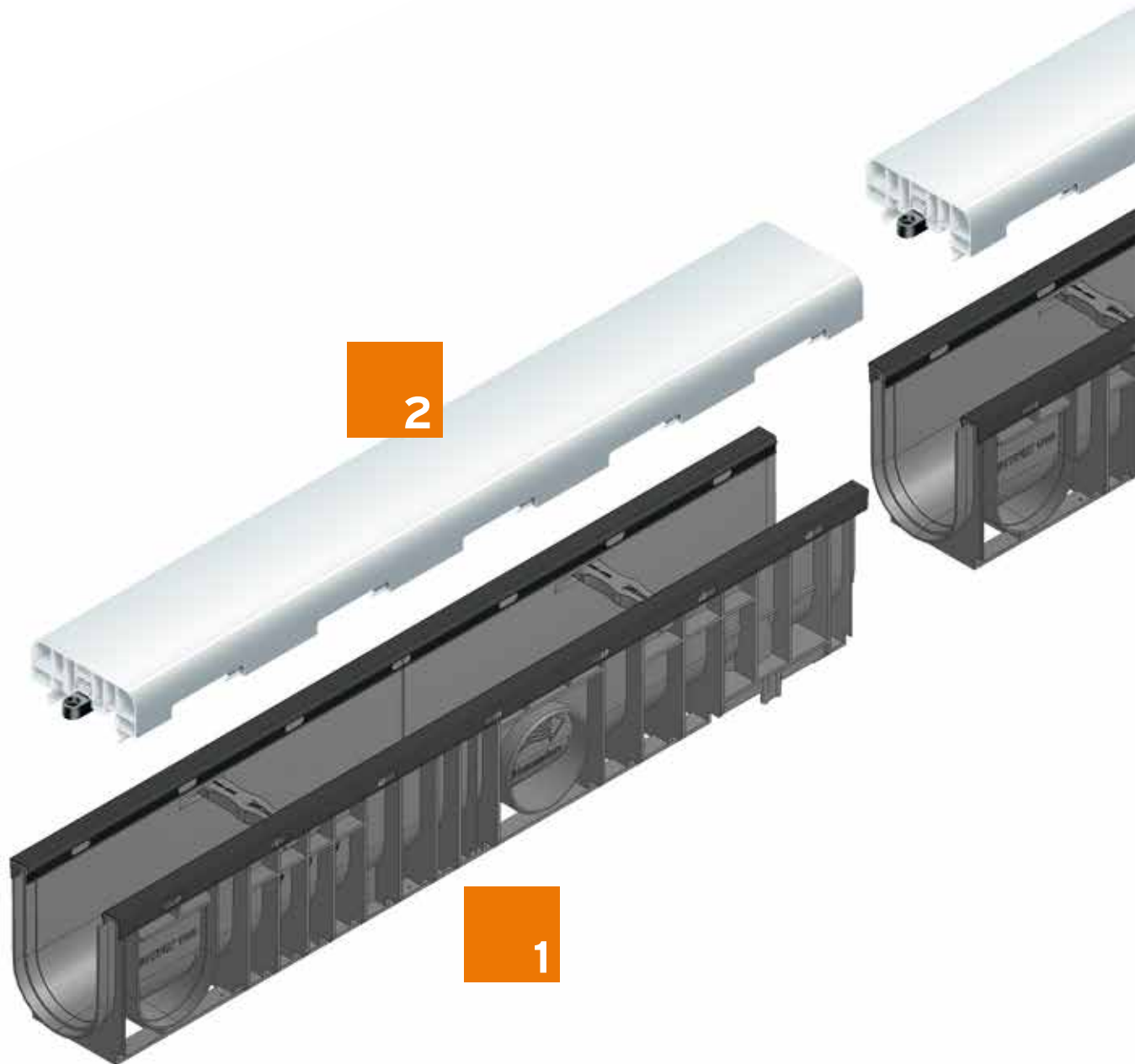
At a glance

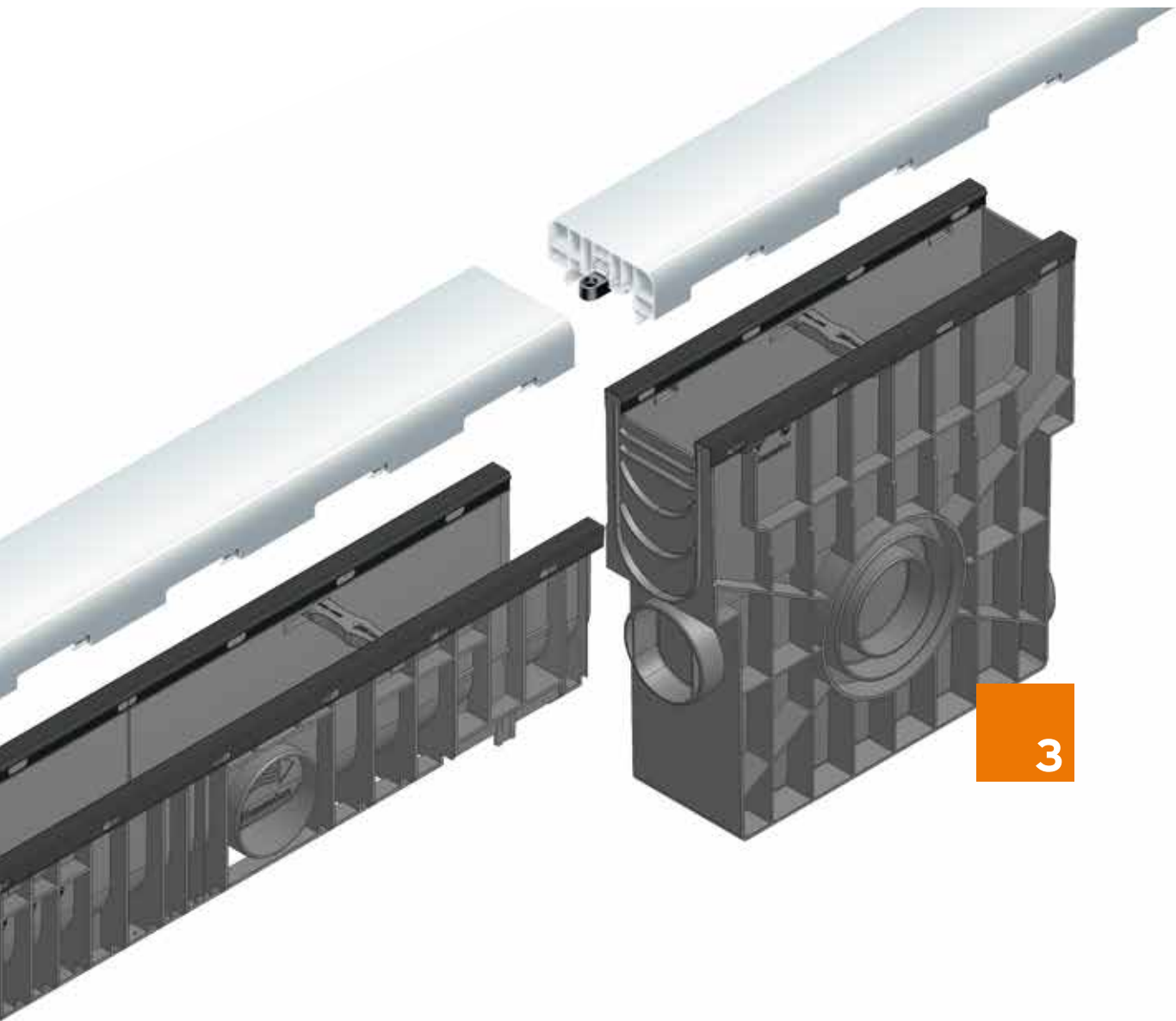
- ✓ Channels made from recycled PE-PP
- ✓ Variety of different ways of draining surfaces and running tracks
- ✓ Products meet IAAF guidelines

SPORTFIX® Channels for IAAF accredited facilities

Perfect drainage - safe past the post.

The comprehensive product range for all IAAF sports facilities.





Material

SPORTFIX channels and trash boxes are manufactured from 100% recycled PE-PP which makes them lightweight and easy to install. The material is highly durable, UV-stabilised, environmentally friendly and impervious to liquids. The top surfaces of the channels are steel-framed; this ensures that gratings lock on securely. The steel frame also enables a permanent join between the track surface and channel.

1

■ SPORTFIX channels made from recycled PE-PP, with tongue and groove connection for precision installation, and with integrated, CDP-coated metal upper edge.

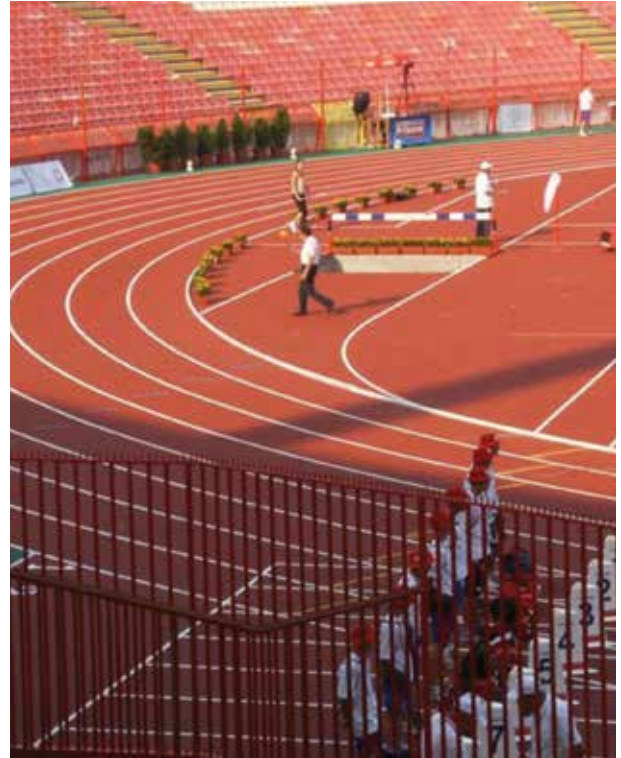
2

■ SPORTFIX plastic cover made from UV-resistant, unbreakable plastic, double-sided inlet with locking springs

3

■ Trash box with facility for connecting a conduit acc. to DN 100/150

References of sports facilities according IAAF guidelines

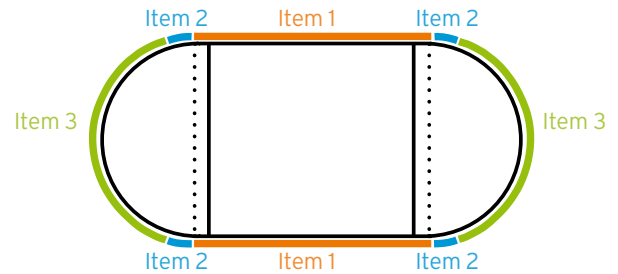


SPORTFIX® Channels

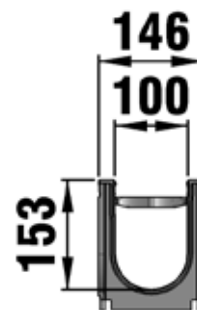
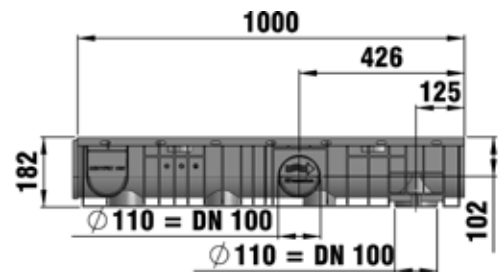
SPORTFIX Channels - nominal width 100 mm

Advantages of SPORTFIX channels:

- PE-PP material
- Easy to install
- UV-resistant
- Light and very durable



Channel type 010



Drawing-no.	Type	Length mm	Width mm	Height mm	Weight kg	Item- no.
1	010	1000	146	182	3,1	7800

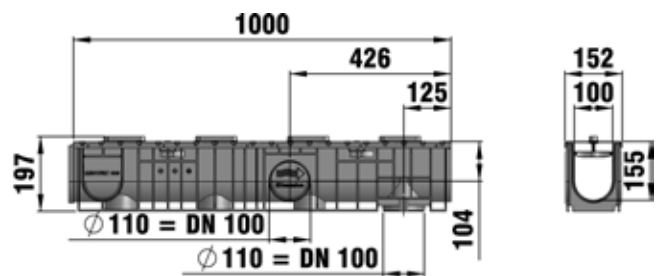
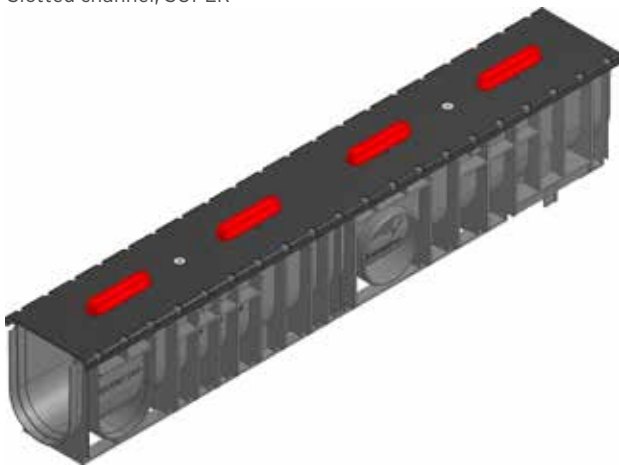
SPORTFIX® Slotted channel

SPORTFIX Slotted channel - nominal width 100 mm

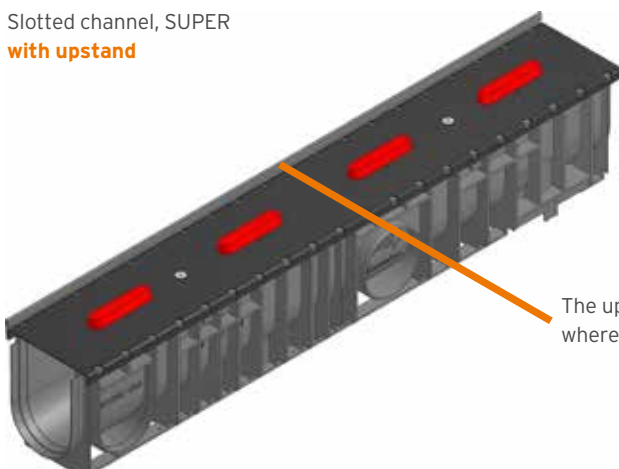
Advantages of SPORTFIX slotted gratings:

- CDP-coated to ensure a perfect join with the running track surface.
- EPDM slots that are easily opened using a screwdriver once the track surface has been laid.

Slotted channel, SUPER



Slotted channel, SUPER
with upstand



The upstand is used on the straight section where the lawn is connected to the channel.

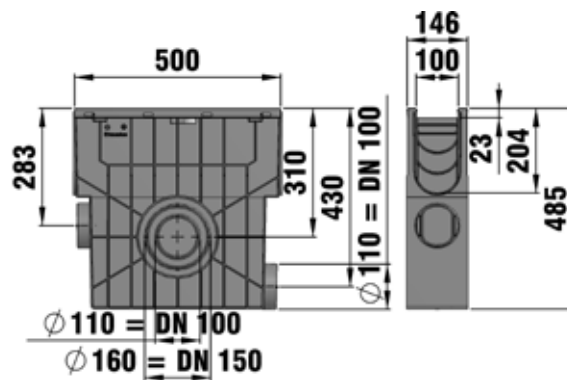
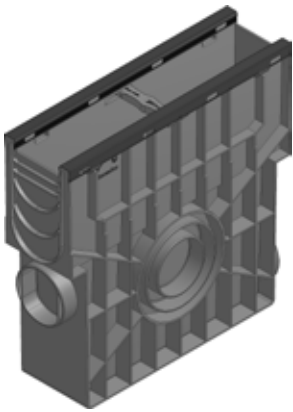
Drawing-no.	Type	Length mm	Width mm	Height mm	Weight kg	Item- no.
3	SUPER	1000	152	197	5,8	7810
1	SUPER with upstand	1000	152	198	5,9	7820

SPORTFIX® Trash boxes

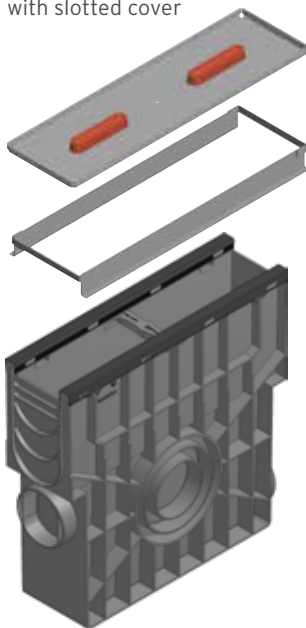
SPORTFIX Trash boxes

In visual terms SPORTFIX trash boxes fit seamlessly with the corresponding channel. The transition from square channel to slotted channel can be achieved easily using an trash box.

SPORTFIX trash box



Inspection grating with slotted cover

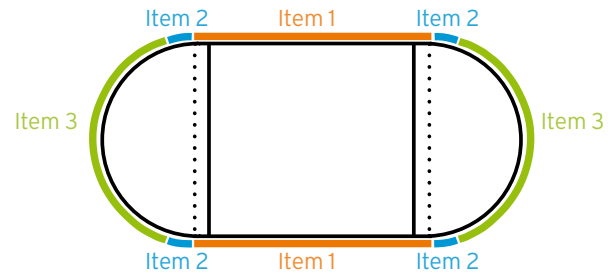


Drawing-no.	Type	Length mm	Width mm	Height mm	Weight kg	Item- no.
1, 2, 3	Type 0	500	160	415	4,4	7830
3	Access cover for connecting to slotted channels	500	167	40	2,8	7785

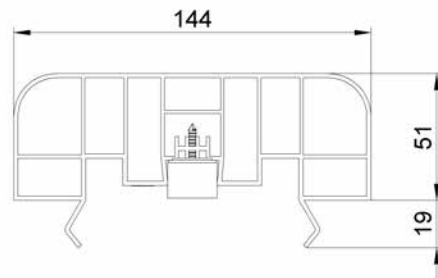
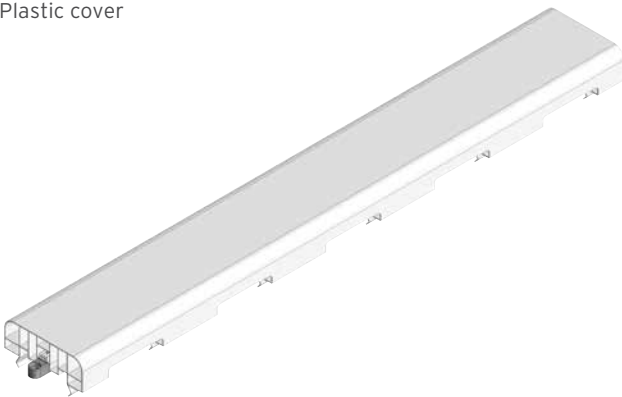
SPORTFIX® Plastic covers

SPORTFIX Plastic covers

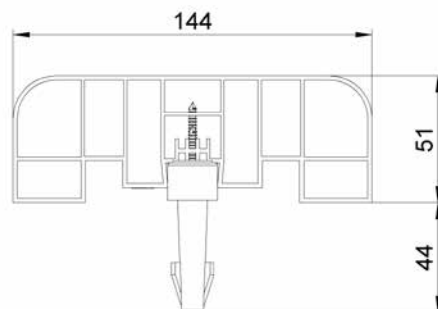
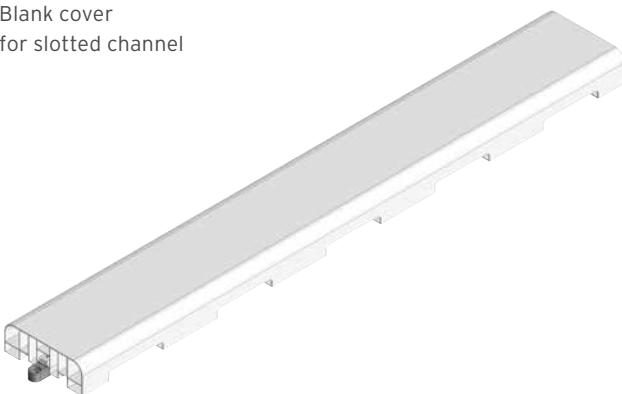
SPORTFIX plastic covers are made from UV-resistant white plastic. They are resistant to frost and gritting material, do not absorb water and are unbreakable. The smooth surface prevents dirt accumulation. SPORTFIX plastic covers are lightweight. They are quick and easy to fit. SPORTFIX plastic covers lock automatically into the SPORTFIX channel. The tongue-and-groove system ensure that neat lines are maintained. SPORTFIX blank covers can be used with SPORTFIX slotted channels.



Plastic cover



Blank cover for slotted channel



Water flows into the channel on both sides of the cover

Drawing-no.	Type	For curved area/radius	Length mm	Width mm	Height mm	Weight kg	Item-no.
1	Straight	-	1000	143	50	1,5	7560
2	Curved	r = 36.5 m	1000	143	50	1,5	7561
1	Blank cover straight	-	1000	143	50	1,5	7563
3	Blank cover curved	r = 36.5 m	1000	143	50	1,5	7564

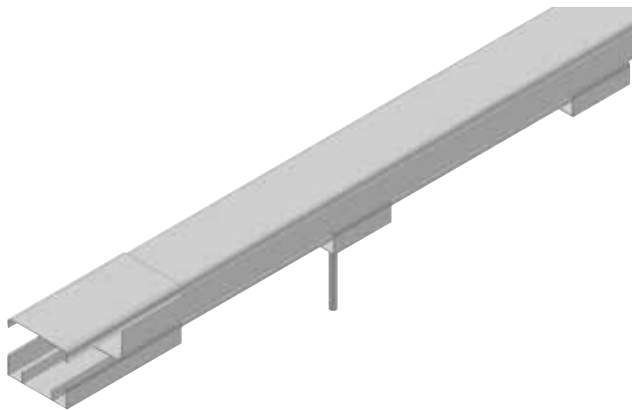
SPORTFIX® Aluminium Curbing

SPORTFIX Aluminium Curbing

Many different events are held at sports facilities, often demanding moveable boundaries. Such boundaries may be provided and removed easily with SPORTFIX Aluminium Curbing.

The SPORTFIX Aluminium Curbing are suited for use as a mobile border for running tracks as well as a cover for slotted channels. They are manufactured as a complete unit with integrated push-in elements and fixing pegs.

SPORTFIX Aluminium Curbing are made of an aluminium-magnesium alloy. SPORTFIX Aluminium Curbing are available either straight or curved, both in 5 m lengths. The curbing have an intake on both sides.



Type	Length mm	Width mm	Height mm	Weight kg	Item- no.
SPORTFIX Aluminium Curbing, Set for 400 m track, including all fixing material	-	-	-	4060	7085

SPORTFIX Aluminium Curbing are not available from stock.