

RECYFIX[®]NC **NEW**

Extremely stable and lightweight - linear drainage made of PE-PP for civil engineering.





RECYFIX[®] NC **NEW**

Extremely stable and lightweight - linear drainage made of PE-PP for civil engineering.

1 Requirement

Modern drainage systems must

- permanently withstand to high loads and large forces.
- be easy to install.
- be resistant to environmental influences (frost, heat, humidity).
- comply with EN 1433.

3 Solutions

RECYFIX NC channels:

- channels made of PE-PP for civil engineering
- load capacity up to E 600 according to EN 1433
- maximum security through 8-fold bolt fixing
- very lightweight, quick and cost saving installation.

2 Application areas

- traffic areas for industry
- loading and unloading zones
- car parks
- pedestrian areas
- public areas
- petrol stations



Industrial yards



Loading and unloading zones



Industrial yards



Access roads



Car park

FASERFIX®SUPER

FASERFIX®KS

FASERFIX®BIG

RECYRFIX®PLUS X

RECYRFIX®NC

RECYRFIX®SUPER

RECYRFIX®HICAP®

FASERFIX®POINT

The benefit of **RECYFIX**[®]NC channels **NEW**



High stability

- stable, durable ductile iron grating
- high quality ductile iron
- 8-fold bolted

= **Security**



Standards and approvals

- certified to EN 1433
- CE-marking

= **Security**

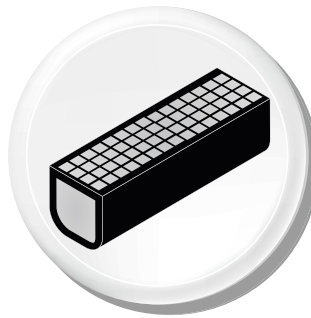


Low weight ensures easy handling on site

- much easier handling on site compared to channels made of polymer concrete
- very easy handling and installation
- maximum stability with minimum weight

= **Cost saving**





prefabricated ready to install

- channel and grating = one part
- no single parts
- easy handling in stock and on site
- cost-effective transportation

= More earnings



High-grade material

- RECYFIX - stable and almost unbreakable
- flexible and particularly resistant material
- withstands high traffic loads and temperature differences in daily use

= Security

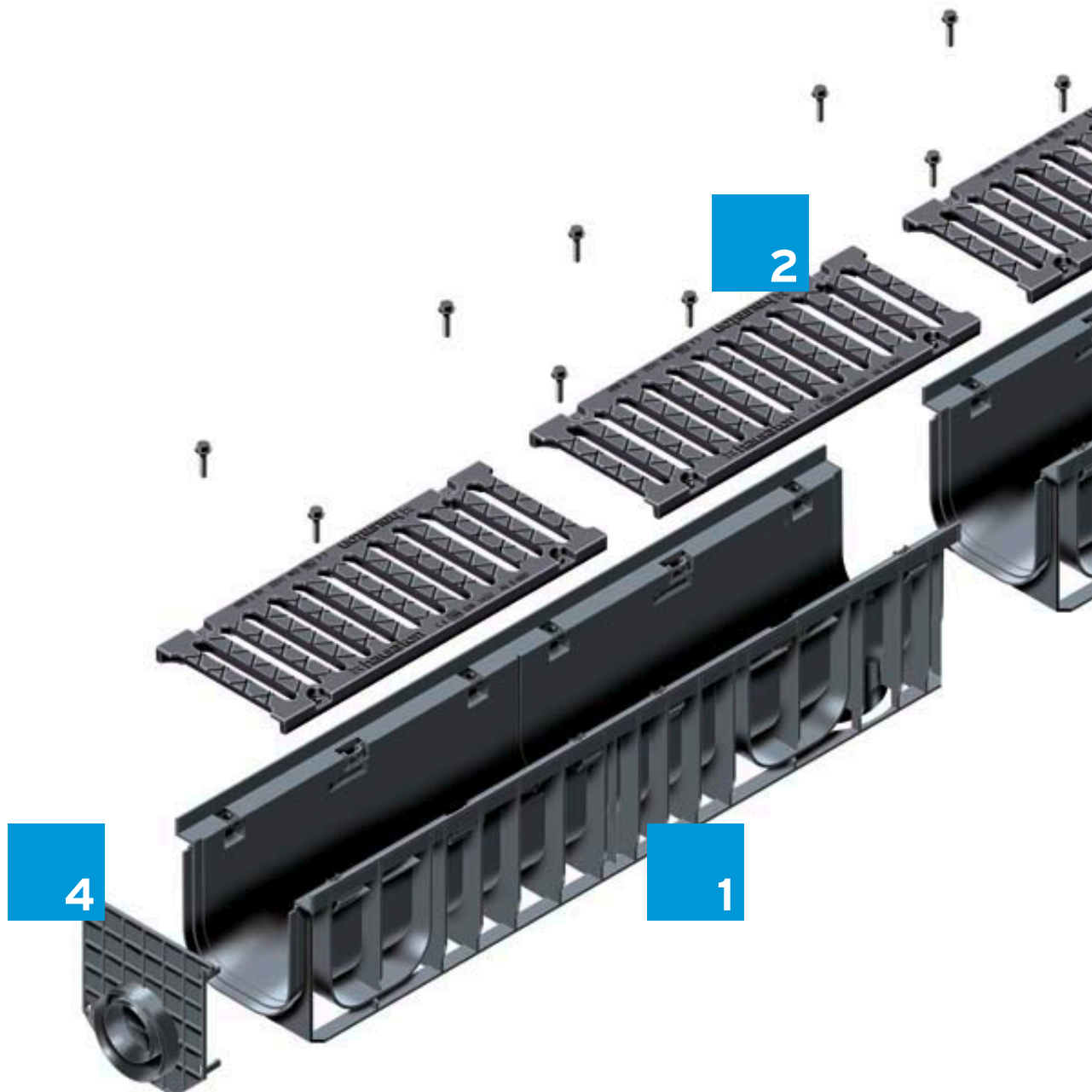
RECYFIX[®] NC **NEW**

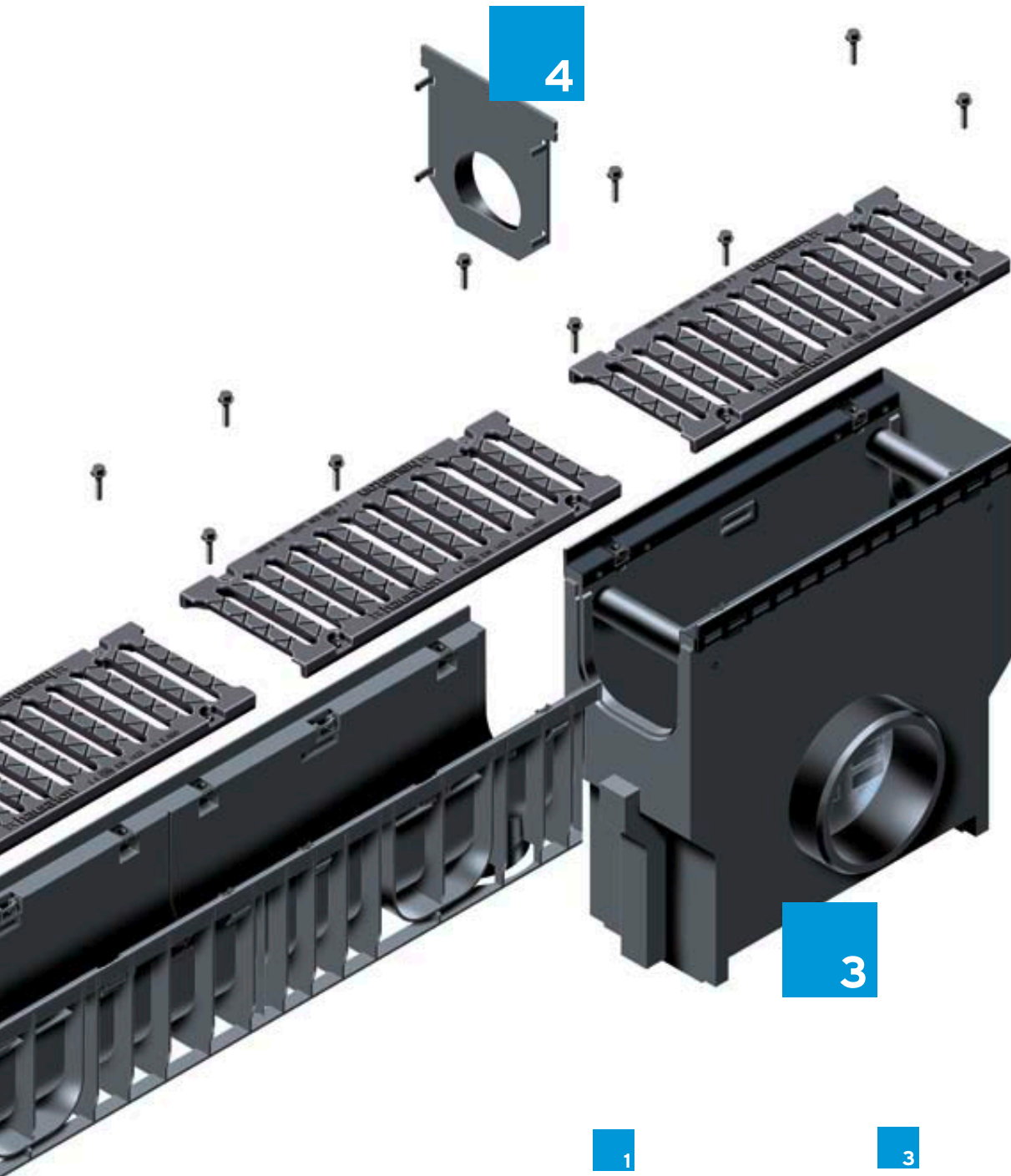
Extremely stable and lightweight - linear drainage made of PE-PP for civil engineering.

RECYFIX NC channels are certified according EN 1433 and can be installed in areas in which the following loading capacities can be expected:



Category D 400,
Load CLASS 400 kN





1

■ Channels made of PE-PP with integrated angle housing, according DIN V 19580 / EN 1433, with groove and tongue connection for exact installation

2

■ stable ductile iron grating made of durable spheroidal graphite iron

3

■ Trash box with 2-sided pipe connection possibilities

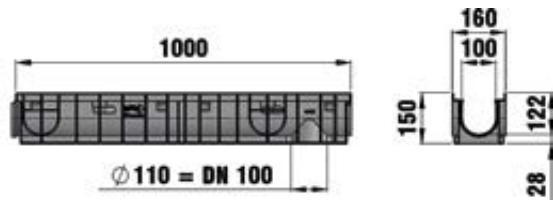
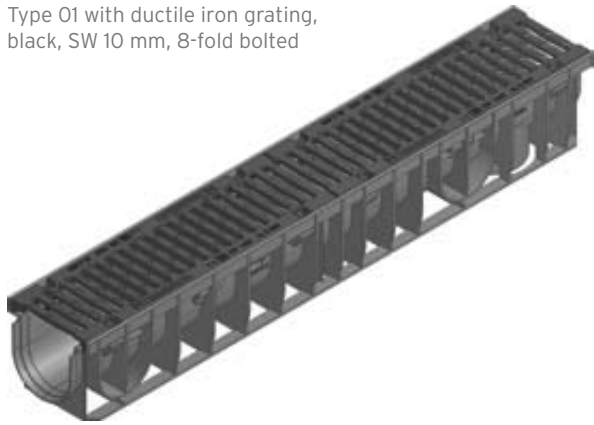
4

■ End caps with or without outlet

RECYFIX® NC 100 **NEW**

RECYFIX® NC 100, Combined article, class E 600

Type 01 with ductile iron grating, black, SW 10 mm, 8-fold bolted



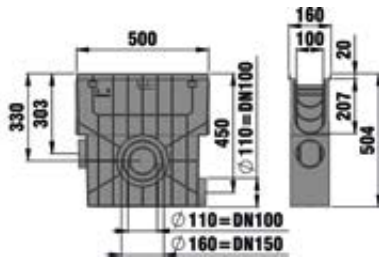
	Length mm	Width mm	Height mm	Drainage cross-sect. cm ²	Intake cross-sect. cm ² /m	Weight kg	Article No.
Type 01 with ductile iron grating, black, SW 10 mm, 8-fold bolted	1000	160	150	92	427	10,7	48770
Type 0105 with ductile iron grating, black, SW 10 mm, 4-fold bolted	500	160	150	92	427	5,4	48748
Type 010 with ductile iron grating, black, SW 10 mm, 8-fold bolted	1000	160	200	142	427	11,6	48772
Type 01005 with ductile iron grating, black, SW 10 mm, 4-fold bolted	500	160	200	142	427	5,8	48747

RECYFIX®NC 100 **NEW**

RECYFIX®NC 100, Accessories



Trash box with plastic bucket, with ductile iron grating, black, SW 10 mm, class E 600, 4-fold bolted



End cap closed for type 010



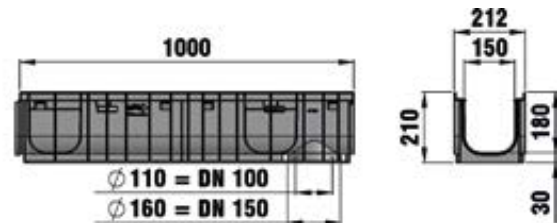
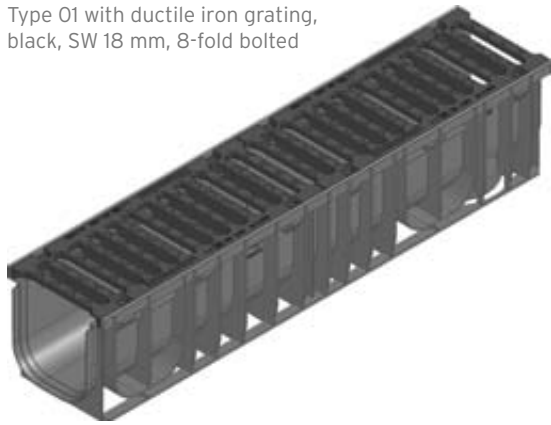
End cap made of PE-PP with outlet DN 100 for type 010

	Length mm	Width mm	Height mm	Weight kg	Article No.
Trash box with plastic bucket, with ductile iron grating, black, SW 10 mm, class E 600, 4-fold bolted	500	160	504	8,3	48753
End cap closed for type 01	5	160	124	-	48681
End cap made of PE-PP with outlet DN 100 for type 01	29	160	201	0,1	48691
End cap closed for type 010	5	160	176	0,1	47082
End cap made of PE-PP with outlet DN 100 for type 010	34	160	201	0,1	47093

RECYFIX®NC 150 **NEW**

RECYFIX®NC 150, combined articles, class E 600

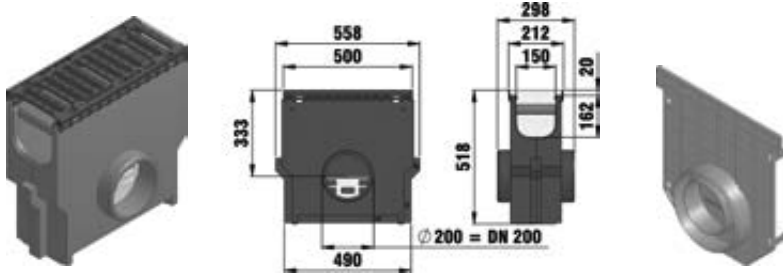
Type 01 with ductile iron grating, black, SW 18 mm, 8-fold bolted



	Length mm	Width mm	Height mm	Drainage cross-sect. cm ²	Intake cross-sect. cm ² /m	Weight kg	Article No.
Type 01 with ductile iron grating, black, SW 18 mm, 8-fold bolted	1000	212	210	230	702	15,7	48870
Type 0105 with ductile iron grating, black, SW 18 mm, 4-fold bolted	500	212	210	230	702	7,9	48848

RECYFIX®NC 150 **NEW**

RECYFIX®NC 150, Accessories



Trash box with plastic bucket, with ductile iron grating, black, SW 18 mm, class E 600, 4-fold bolted

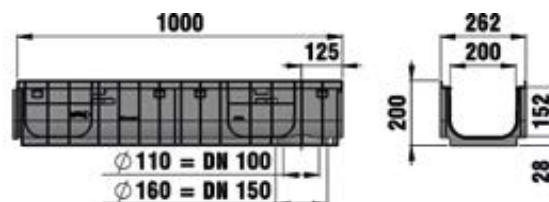
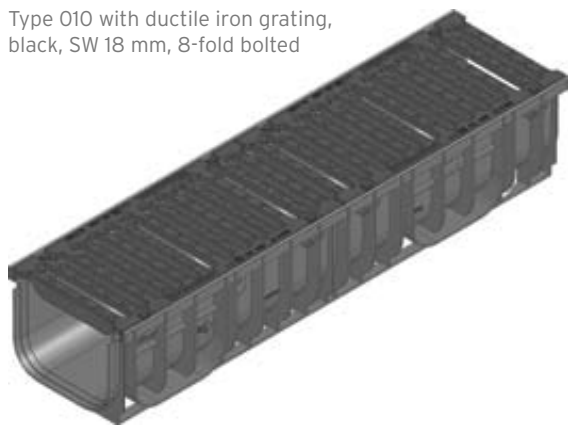
End cap combined, PE-PP with outlet DN 70/100 for type 01

	Length mm	Width mm	Height mm	Weight kg	Article No.
Trash box with plastic bucket, with ductile iron grating, black, SW 18 mm, class E 600, 4-fold bolted	500	212	518	22,9	48853
End cap combined, PE-PP with outlet DN 70/100 for type 01	24	210	218	0,2	40591

RECYFIX®NC 200 **NEW**

RECYFIX®NC 200, Combined articles, class E 600

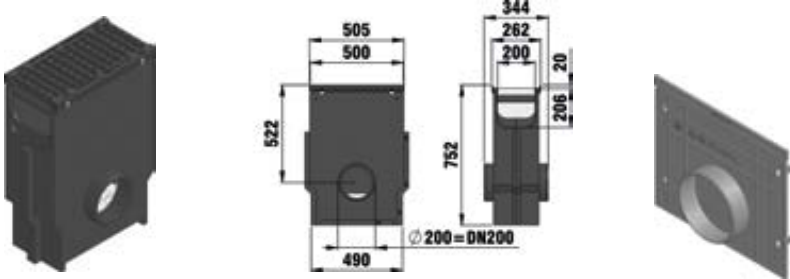
Type 010 with ductile iron grating, black, SW 18 mm, 8-fold bolted



	Length mm	Width mm	Height mm	Drainage cross-sect. cm ²	Intake cross-sect. cm ² /m	Weight kg	Article No.
Type 010 with ductile iron grating, black, SW 18 mm, 8-fold bolted	1000	262	200	294	936	20,8	49572
Type 01005 with ductile iron grating, black, SW 18 mm, 4-fold bolted	500	262	200	294	936	10,4	49547

RECYFIX®NC 200 **NEW**

RECYFIX®NC 200, Accessories



Trash box with plastic bucket, with ductile iron grating, black, SW 18 mm, class E 600, 4-fold bolted

End cap combined, PE-PP with outlet DN 70/100 for type 010

	Length mm	Width mm	Height mm	Weight kg	Article No.
Trash box with plastic bucket, with ductile iron grating, black, SW 18 mm, class E 600, 4-fold bolted	500	262	752	35,2	49553
End cap combined, PE-PP with outlet DN 70/100 for type 010	28	258	217	0,7	41387